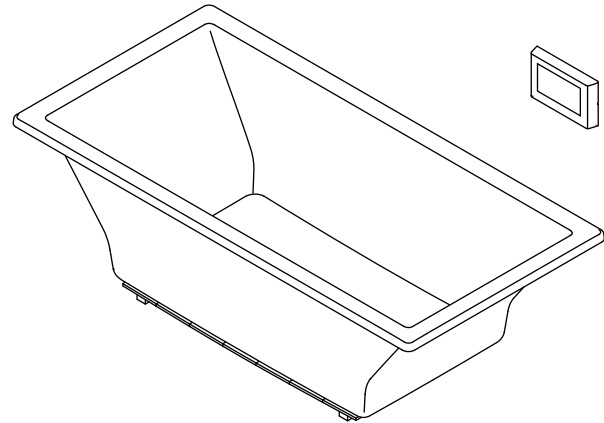


Features

- Acrylic
- Intuitive high-clarity color touch-screen user interface
- 6 transducers and control amplifier create 3-D surround sound experience
- Under-mount/drop-in installation
- Center drain
- 19-7/16" (494 mm) deep bathing well
- Available with chromatherapy [-VBC]
- Chromatherapy model is equipped with 4 lights
- User interface mounting plate is included in color CP
- 72" (1829 mm) x 36" (914 mm) x 23" (584 mm)

6' VIBRACOUSTIC BATH K-1835-VB ALSO K-1835-VBC



Codes/Standards Applicable

Specified model meets or exceeds the following:

- CSA B45.5/IAPMO Z124
- UL 1795
- CAN/CSA C22.2 No. 218.2

Colors/Finishes

- 0: White
- CP: Polished Chrome
- BN: Brushed Nickel
- NA: None applicable
- Other: Refer to Price Book for additional colors/finishes

Specified Model

| Model | Description | Colors/Finishes | |
|-----------------------------|--|-----------------------------|-------------------------------------|
| K-1835-VB | 6' VibrAcoustic bath | <input type="checkbox"/> 0 | <input type="checkbox"/> Other_____ |
| K-1835-VBC | 6' VibrAcoustic bath with chromatherapy | <input type="checkbox"/> 0 | <input type="checkbox"/> Other_____ |
| Required Accessories | | | |
| K-7271 | Clearflo slotted overflow brass bath drain OR | <input type="checkbox"/> CP | <input type="checkbox"/> Other_____ |
| K-7272 | Clearflo slotted overflow bath drain – PVC pipe | <input type="checkbox"/> CP | <input type="checkbox"/> Other_____ |
| Optional Accessories | | | |
| K-593 | Under-mount kit | <input type="checkbox"/> NA | |
| K-1491 | Pillow | <input type="checkbox"/> 0 | <input type="checkbox"/> Other_____ |
| K-1601 | Footstop | <input type="checkbox"/> 0 | <input type="checkbox"/> Other_____ |
| 1172315 | VibrAcoustic interface mounting plate | <input type="checkbox"/> BN | |

Product Specification

The acrylic vibracoustic bath shall be 72" (1829 mm) in length, 36" (914 mm) in width, and 23" (584 mm) in height. Bath shall feature intuitive high-clarity color touch-screen user interface and 6 transducers and control amplifier, which create 3-D surround sound experience. Bath shall be available with chromatherapy [-VBC], which is equipped with 4 lights. Bath shall be available with under-mount or drop-in style installation. Bath shall have center drain. Bath shall have a 19-7/16" (494 mm) deep bathing well. The user interface mounting plate shall be included in color CP. Bath shall be Kohler Model K-1835-____-____.

UNDERScore®

Technical Information

| | | | |
|---|--|--------------------------------------|-------|
| Fixture*: | | | |
| Bathing well: | | | |
| Basin area, bottom | 45-3/4" (1162 mm) x 25-15/16" (659 mm) | | |
| Basin area, top | 65-3/8" (1661 mm) x 29-5/16" (745 mm) | | |
| Weight | 87 lbs (39.5 kg) | | |
| To overflow: | | | |
| Water depth | 19-7/16" (494 mm) | | |
| Capacity | 112.9 gal (427 L) | | |
| * Approximate measurements for comparison only. | | | |
| Drop-in cut-out | | 71-1/2" (1816 mm) x 35-1/2" (902 mm) | |
| Amplifier/control: | Power per channel (rms) W | V | Hz |
| | 15 | 120 | 50/60 |

Required Electrical Service

Dedicated circuit required, protected with Class A Ground-Fault Circuit-Interrupter (GFCI) or Residual Current Device (RCD):

Amplifier/control: 120 V, 15 A, 50/60 Hz

Installation Notes

Install this product according to the installation guide.

The bath is intended for under-mount/drop-in installation.

Control amplifier fits 16" (406 mm) center studs.

A grounded outlet within the wall framing must be within 24" (610 mm) of the planned control amplifier.

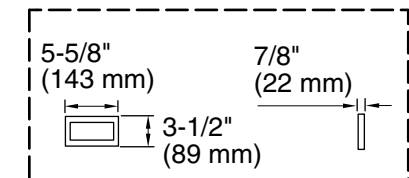
Cables are included, 25' (7.6 m) each.

Four access panels are required for servicing the bath.

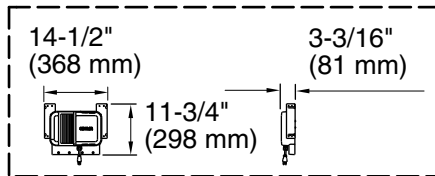
Floor support under bath must provide for a minimum of 58.6 lbs/square foot (286 kg/square meter) loading.

Hot water supply should be 70% of capacity or greater. Installations will vary.

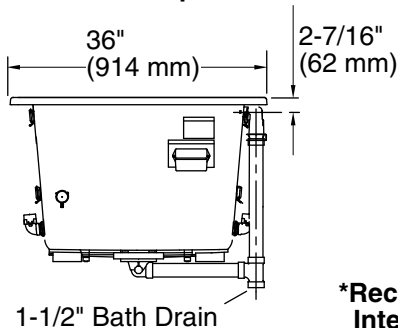
No change in measurement if connected with drain illustrated. (K-7272)



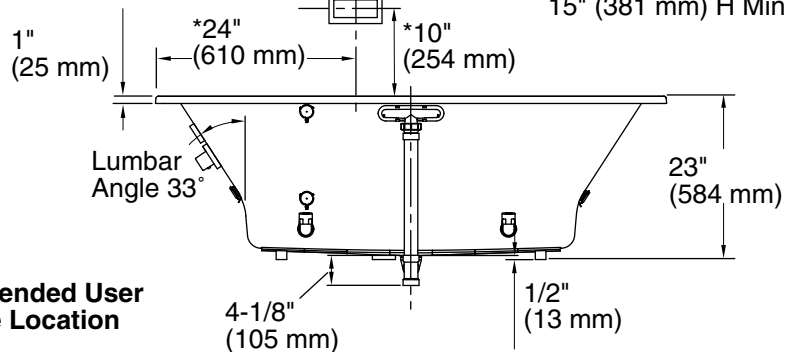
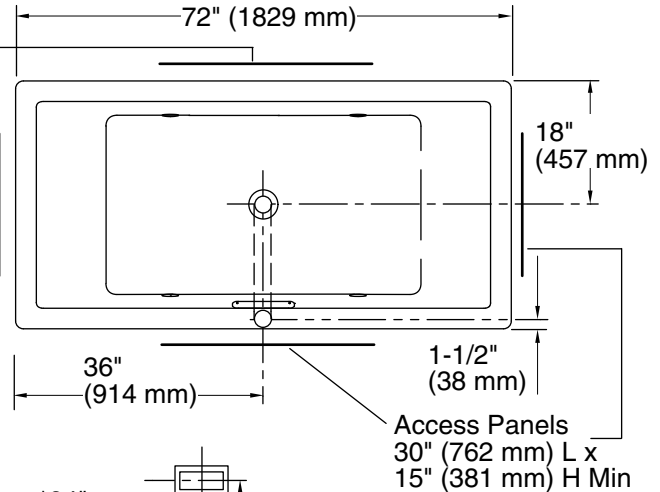
User Interface



Control Amplifier



Access Panels
30" (762 mm) L
x 15" (381 mm) H Min



*Recommended User Interface Location

Product Diagram